

NOP2

This lightweight, polycentric knee has a pneumatic cylinder that provides a smooth swing phase control. It is compact and slim, making it an ideal option for use with children who have outgrown paediatric knee units, or for adults who require a slim cosmesis. When flexed, the knee's design still allows a neat and shapely cosmesis to be produced.

Further features include adjustable geometry. This allows the knee's geometric stability to be increased or decreased, dependant on the patient's ability. This makes it particularly suitable wherever there is a need to readily change the way the unit transitions from stance to swing phase, whilst still providing positive stance stability, such as on a hip disarticulation prosthesis.



Features and Benefits

- Lightweight and robust
- Compact and slim
- Pneumatic swing phase control - the independent adjustment of the flexion and extension valves, allows the swing phase to be easily set up to meet the individual needs of the user. On extension, the knee geometry automatically provides stance stability.
- High stance phase stability
- Adjustable stance phase geometry can be easily adjusted to provide the transition from stance to swing that most suits the user's requirements
- High flexion angle at 160°
- Polycentric joint construction provides improved ground clearance at mid swing, reducing the risk of catching the toe and stumbling



Adjustable stance geometry



Pneumatic swing phase control

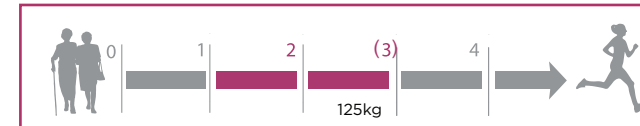


High knee flexion angle 160°

Ordering Information

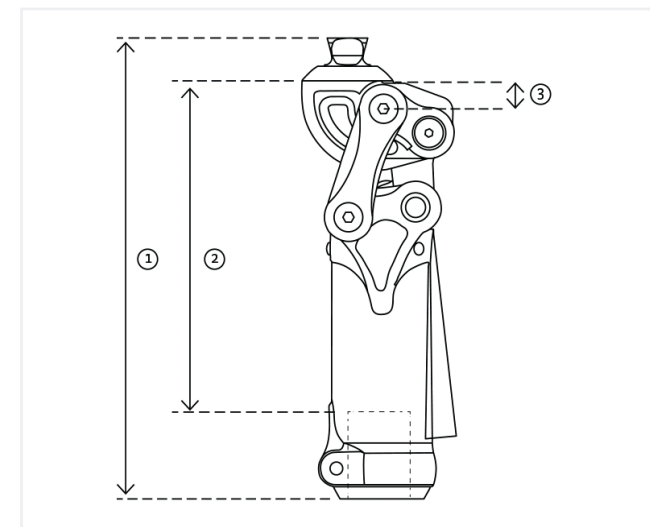
Trial Period - There is no trial period on this knee, however please contact Customer Services or a Steeper Product Manager to enquire.

Mobility Class & Weight Limit



Part Number	Description
NOP2	Pneumatic, load dependent polycentric safety knee joint

Technical Information



Material	Aluminium
Amputation Level	Transfemoral
Total Fitted Height (1)	Approx 195mm
Effective Module Height (2)	Approx 160mm
Fitted Height (3)	Approx 18mm
Weight	Approx 650g
Ground Clearance	Approx 1.3cm
Proximal Connector	Pyramid
Distal Connector	Integral 30mm tube receiver
Swing Phase	Pneumatic
Stance Phase	Adjustable stance geometry
Axes	Polycentric
Flexion Angle without Socket	Approx 160°
Maximum Patient Weight	125kg
Activity Level	2, (3)
Warranty	3 years